

SAVE UP TO 70%  
ENERGY WITH COMPARABLE  
LIGHT OUTPUT

CFL-PAR



CFL-PAR38

#### FEATURES AND BENEFITS:

- CFL-PAR38: 23 Watts and CFL-PAR30: 19 Watts
- Three Color Options:
  - Warm Tone, Interior Designer's Choice
  - Day-Brite™
  - Sky-Brite®, Full Spectrum
- 60° Floodlight Reflector
- High Luminous Efficiency: Up to 52 Lm/W
- Wide Range of Operation Temperatures: 0°F - 120°F
- Optimal Light Output in Any Position
- Electronic Ballast with End-of-Life Protection\*
- Use Indoor or Outdoor
- Suitable for Wet Applications
- 95% Lumen Maintenance

#### \* End-of-Life Protection:

Our CFL-PARs have built in End-of-Life Protection Circuitry to protect the lamps from overheating at the end of life. CFLs without this technology can potentially overheat to the point where the plastics containing the ballast begin to melt causing health and fire hazards.



#### CFL COLOR REFERENCE GUIDE:

WARM  
TONE

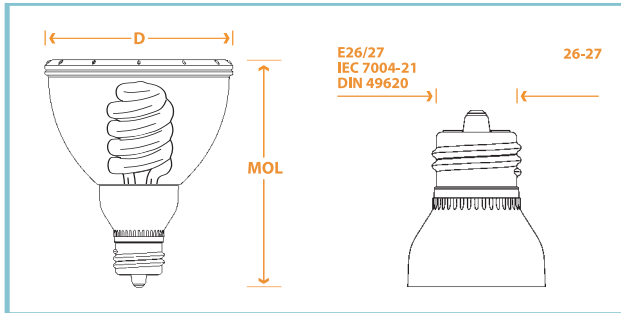
DAY-  
BRITE™

SKY-  
BRITE®

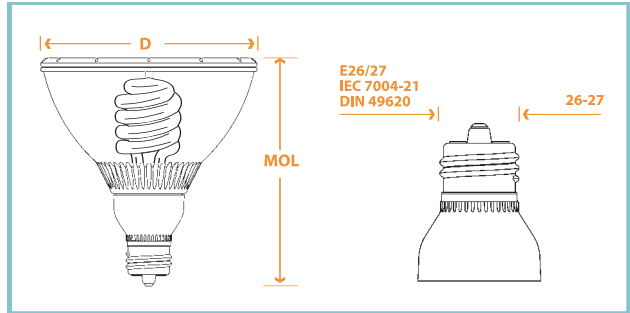


CFL-PAR30

### CFL-PAR30



### CFL-PAR38



## Technical Data

### CFL-PAR30

PART #	WATTS	INPUT LINE	POWER	THD	M.O.L.	(D) DIAMETER	COLOR	CRI	LUMENS	Lm/W
71673	19	0.28A	>0.50	<150%	4.625	3.75	WARM TONE	>82	855	45.0
71672	19	0.28A	>0.50	<150%	4.625	3.75	DAY-BRITE™	>82	855	45.0
71674	19	0.28A	>0.50	<150%	4.625	3.75	SKY-BRITE®	>82	855	45.0

### CFL-PAR38

PART #	WATTS	INPUT LINE	POWER	THD	M.O.L.	(D) DIAMETER	COLOR	CRI	LUMENS	Lm/W
71675	23	0.35A	>0.50	<150%	5.000	4.75	WARM TONE	>82	1200	52.0
71677	23	0.35A	>0.50	<150%	5.000	4.75	DAY-BRITE™	>82	1200	52.0
71676	23	0.35A	>0.50	<150%	5.000	4.75	SKY-BRITE®	>82	1200	52.0

### ENERGY SAVINGS CALCULATOR:

#### PAR30 HALOGEN VS. CFL

Current Energy Cost:  
**\$48.67 per year**

Estimated Cost after Contacting PQL:  
**\$12.33 per year**

Estimated Annual Savings:  
**\$36.34 per year**

Monthly Savings:  
**\$3.03 per month**

Months until Payback:  
**2.3 months**



Savings are based on an average usage of 16 hours a day, 312 days a year.

#### PAR38 HALOGEN VS. CFL

Current Energy Cost:  
**\$58.41 per year**

Estimated Cost after Contacting PQL:  
**\$14.93 per year**

Estimated Annual Savings:  
**\$43.48 per year**

Monthly Savings:  
**\$3.62 per month**

Months until Payback:  
**2.5 months**